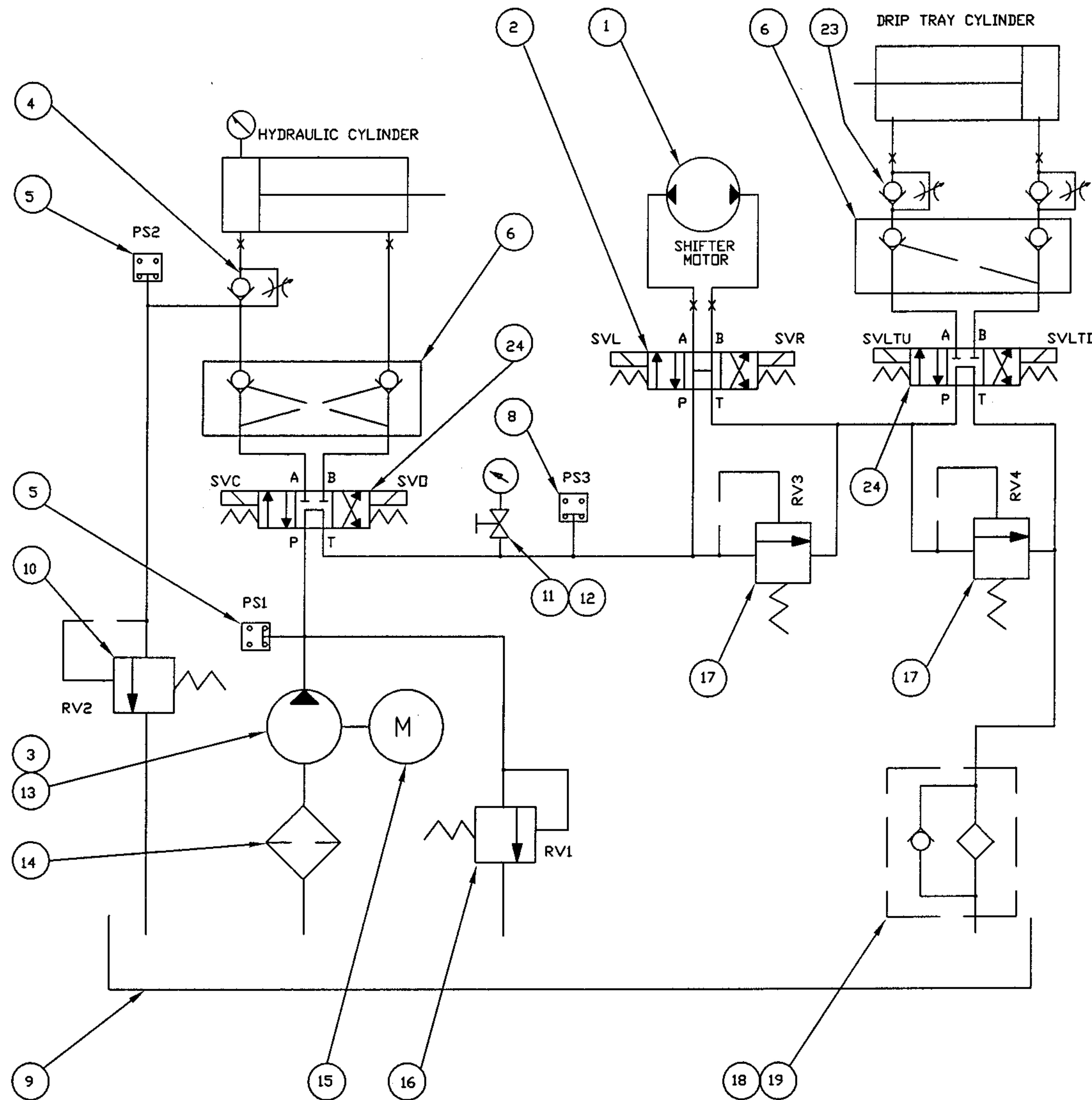


ITEM	PART NO.	DESCRIPTION	QTY.	ITEM	PART NO.	DESCRIPTION	QTY.	ITEM	PART NO.	DESCRIPTION	QTY.
1	61288	HYDRAULIC MOTOR 5.4 CU.IN./REV.	1	11	61395	GAUGE COCK	1	21	61480	SUBPLATE 2 STATION	1
2	61538	3 POS. 4 WAY D.C. VALVE	1	12	36045	GAUGE	1	22	61490	SUBPLATE 4 STATION	1
3	24100	MOTOR/PUMP COUPLING	1	13	61304	HYDRAULIC PUMP 3.3 GAL./MIN.	1	23	61491	DUAL FLOW CONTROL	2
4	61392	ADJUSTABLE FLOW CONTROL	1	14	61393	INTAKE STRAINER	1	24	61539	2 POS 4 WAY VALVE	2
5	61540	PRESSURE SWITCH	2	15	60622	MOTOR 230/460/3 PH./60 HZ. 10 HP	1				
6	61300	PILOT OPERATED CHECK VALVE	3	16	61391	RELIEF VALVE	1				
7	-----	BOLT KIT	A/R	17	61543	RELIEF VALVE	1				
8	61541	PRESSURE SWITCH	1	18	63139	RETURN LINE FILTER 10 MICRON	1				
9	-----	RESERVOIR 20 GALLON	1	19	63234	FILTER HEAD	1				
10	61542	RELIEF VALVE	1	20	61445	SUBPLATE 1 STATION	1				

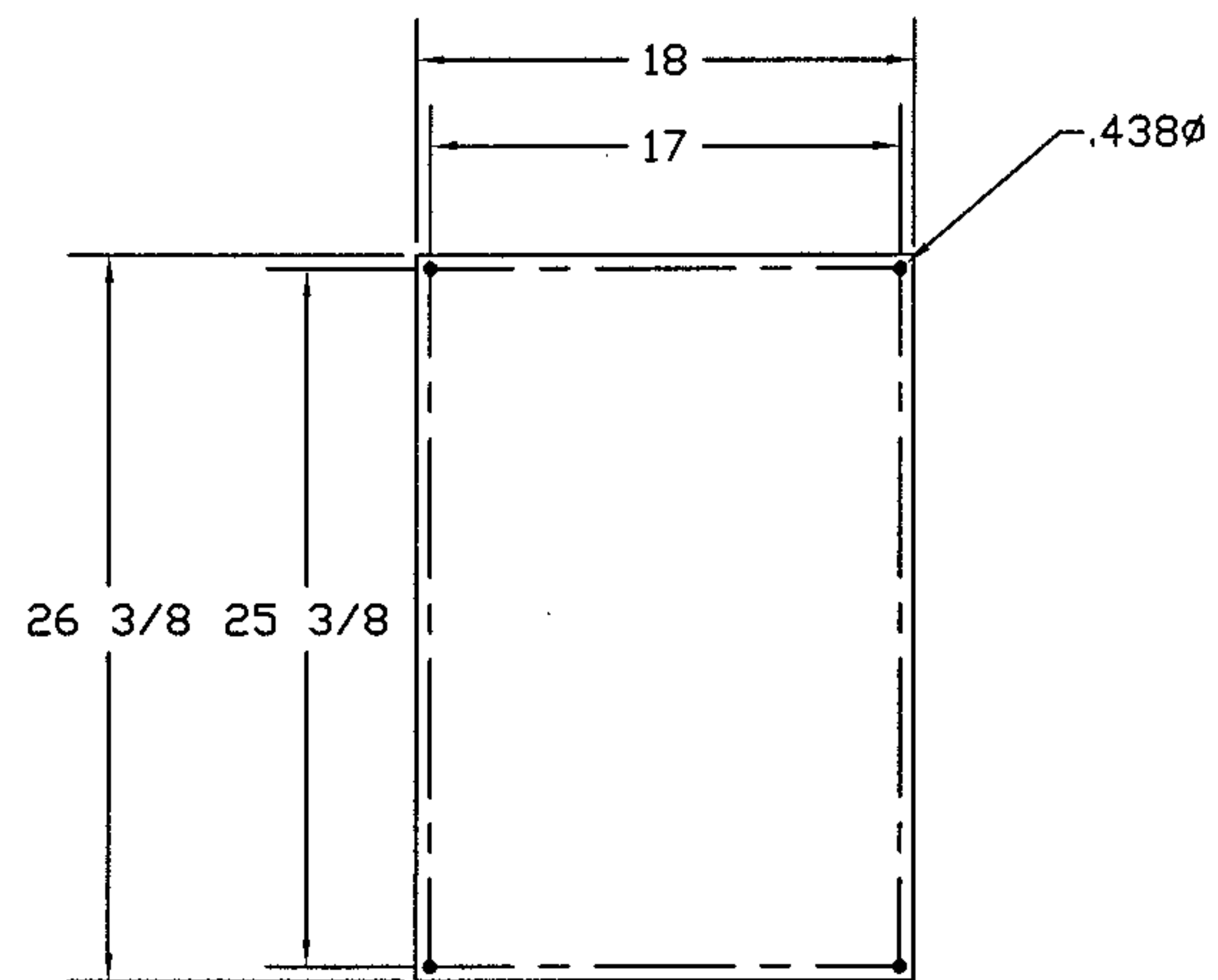
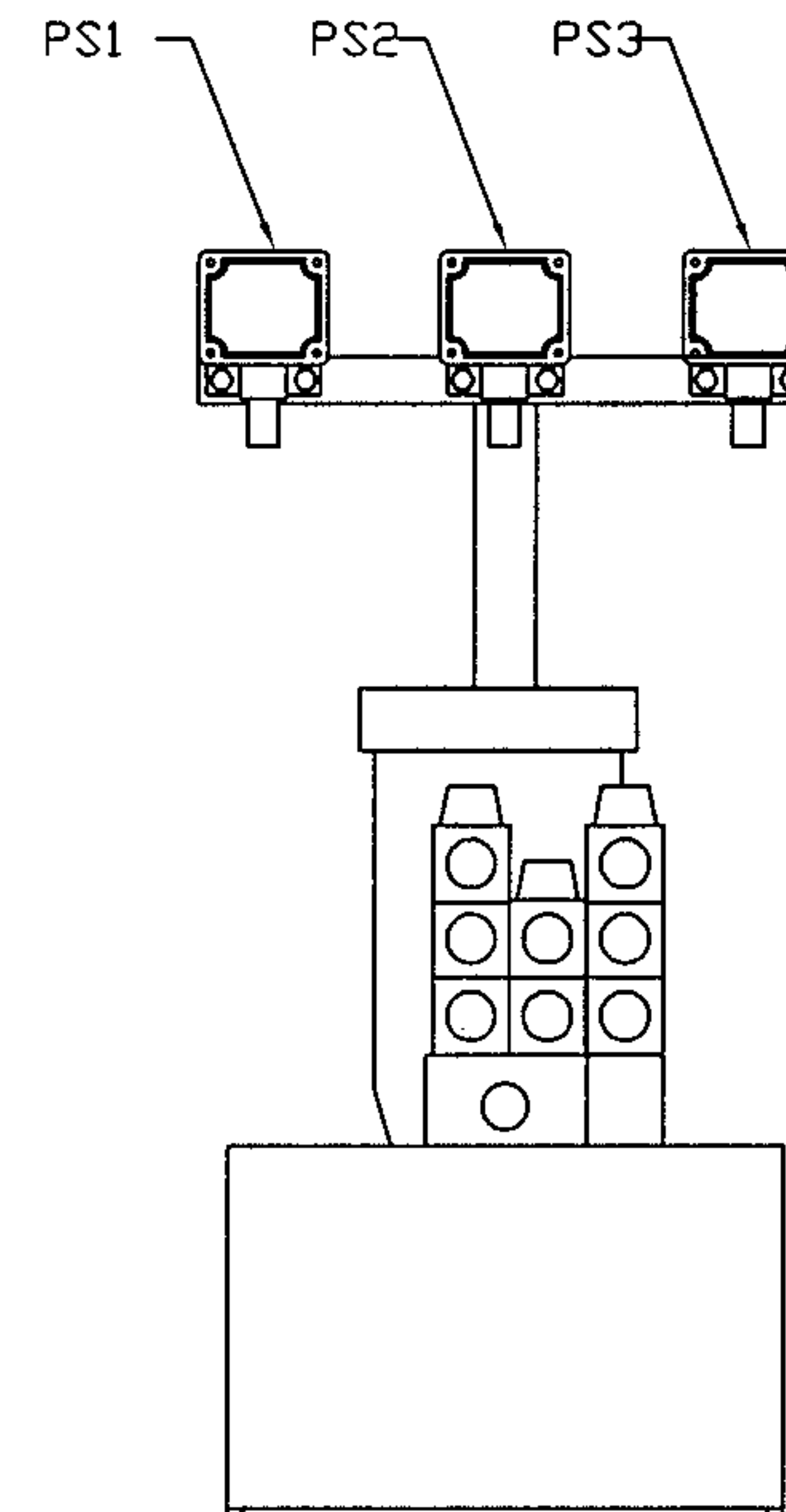
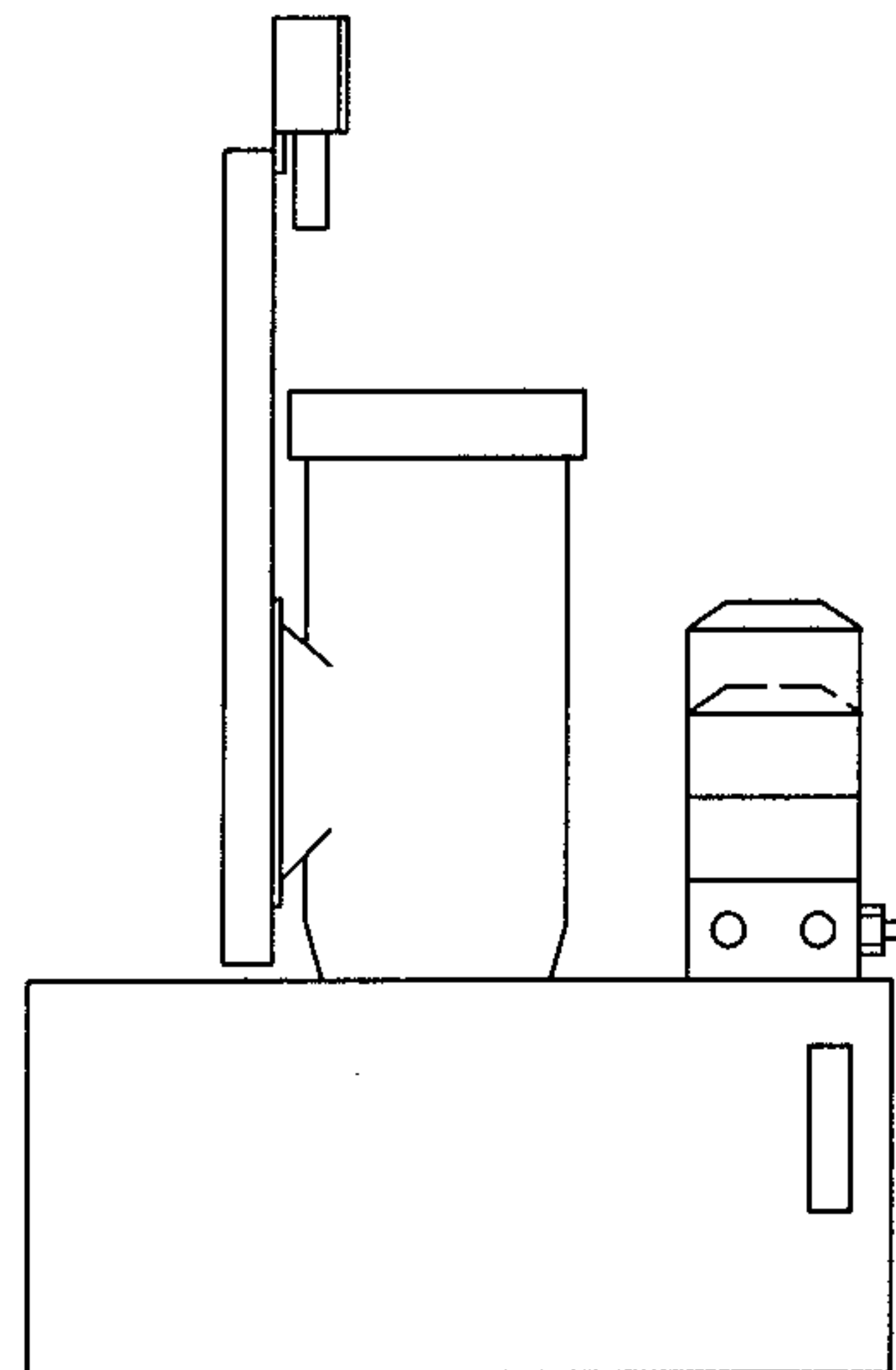
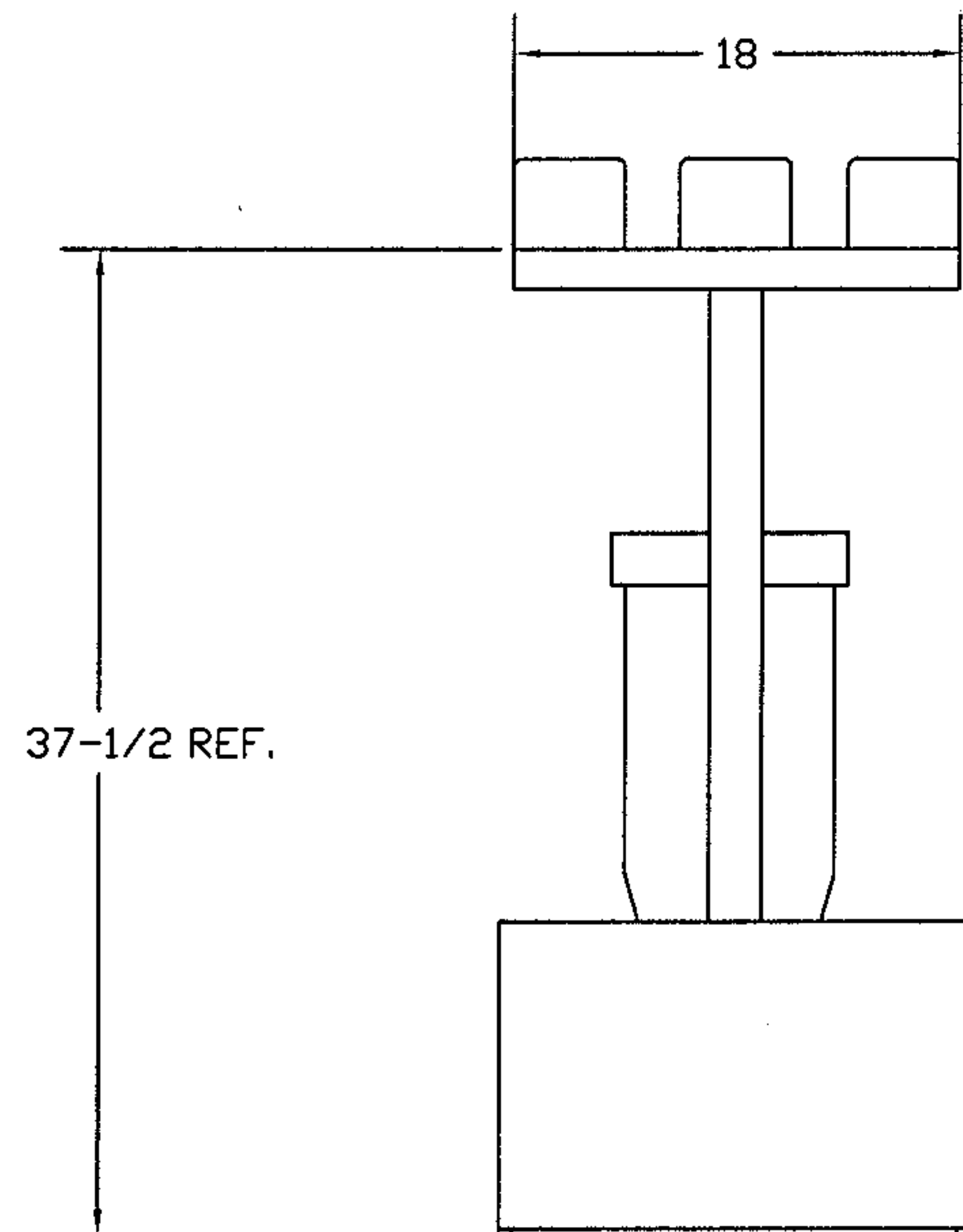
ITEMS 20, 21 & 22 NOT SHOWN.



D:\ACAD\61\61635-2

PART NO. 61635	D.R. SPERRY & CO.	
DESCRIPTION EHCP/APS/DT HYD. SCHEMATIC (SINGLE CYLINDER)	623 RATHBONE AVE AURORA, IL. 60506	
TOLERANCES UNLESS OTHERWISE SPECIFIED	DRN. JJ	DWG. NO.
X DECIMAL +/- .030 FRACTIONAL +/-	CHKD.	C61635
XX DECIMAL +/- .015 .0625	DATE 12/6/02	PAGE 2 OF 2
XXX DECIMAL +/- .005 125	SCALE 1:1	

SYM.	DATE	REVISION	BY



SYM.	DATE	REVISION	BY

D:\ACAD\61635-1

PART NO. 61635		D.R. SPERRY & CO. 623 RATHBONE AVE AURORA, IL. 60506
DESCRIPTION EHCP/APS/ SINGLE DT LAYOUT		
TOLERANCES UNLESS OTHERWISE SPECIFIED		DRN. JJ
X DECIMAL +/- .030	FRACTIONAL +/-	CHKD.
XX DECIMAL +/- .015	.0625	DATE 12/6/02
XXX DECIMAL +/- .005	125	SCALE 1:8
		DWG. NO. C61635 SHEET 1 OF 2