

HHC PARTS LIST

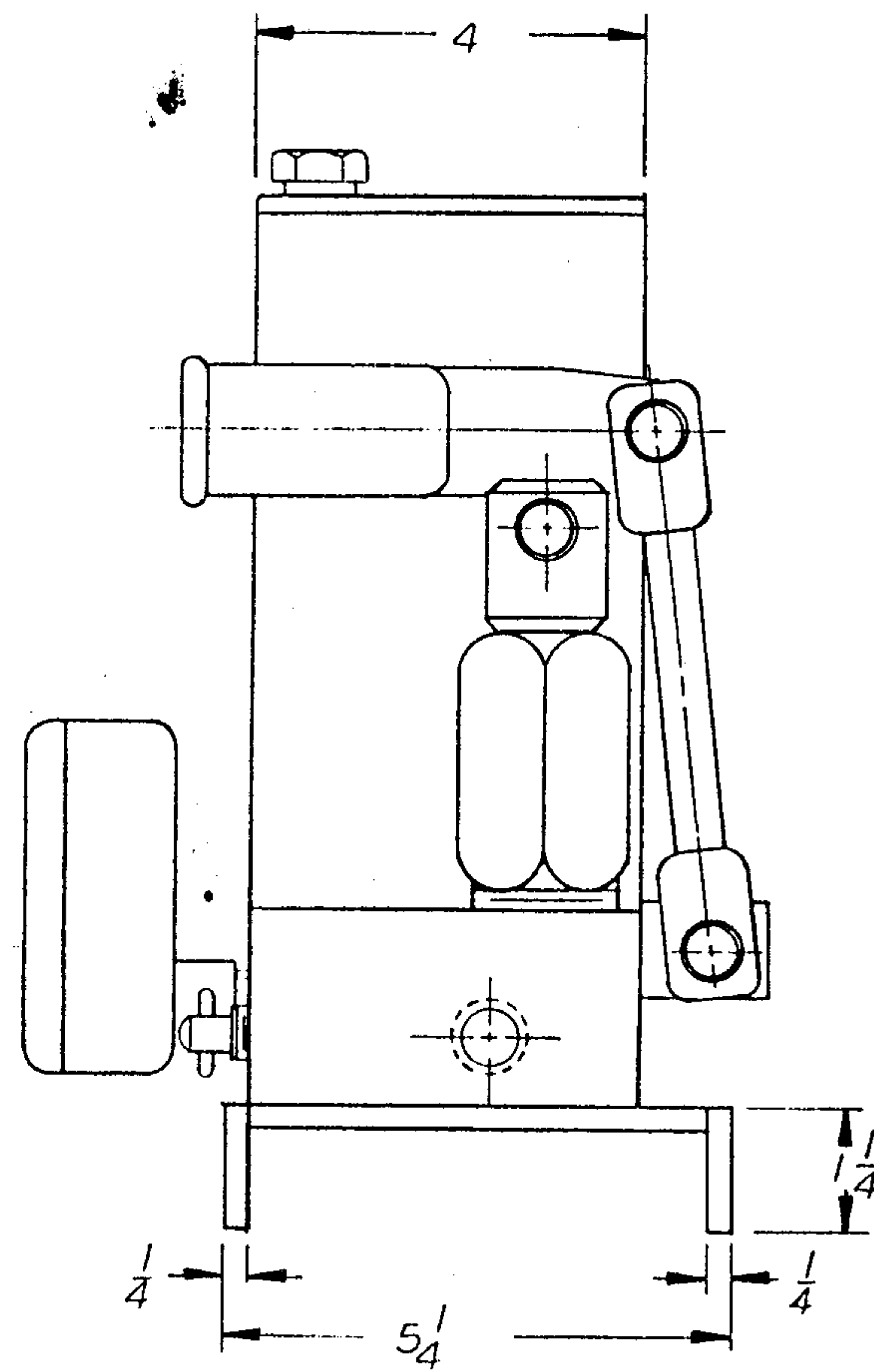
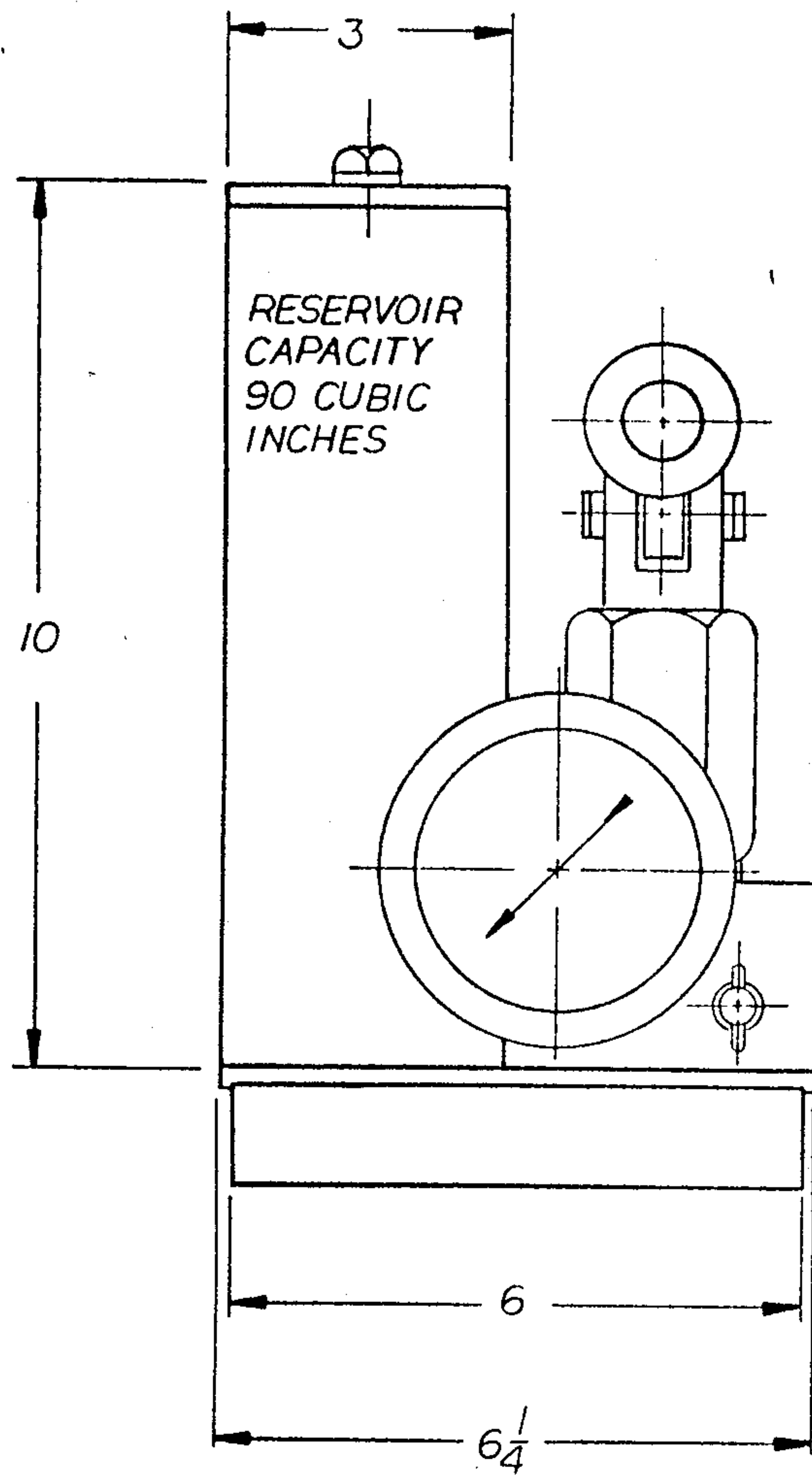
<u>ITEM NO.</u>	<u>PART NO.</u>	<u>DESCRIPTION</u>	<u>ITEM NO.</u>	<u>PART NO.</u>	<u>DESCRIPTION</u>	<u>ITEM NO.</u>	<u>PART NO.</u>	<u>DESCRIPTION</u>
1	18-48	CROSSHEAD	12		FRAME	23	9-	FLOOR SUPPORT
2	19-05	CENTERSCREW	13		HEAD PLATE	24	9-	TURNBUCKLE
3	2-16	SIDEBAR NUT	14	4-07	STATIONARY HEAD	25	8-	TRUSS ROD
4	31-04	CAPSTAN	15	17-01	LOCK NUT	26	6-14	LEG
5	31-05	HANDWHEEL	16	1-01	HEAD CONNECTION	27	2-	NUT
6	27-	BOLT	17	17-	FLANGE	28+	12-02	ROLLER-SLD.HD.
7	11-07	SLIDE HEAD	18	2-16	SIDEBAR NUT	29+	12-03	ROLLER-BALANCE
8		HEAD PLATE	19	1-68	HEAD CONNECTION			
9	8-	SIDEBAR	20+	17-27	LOCK NUT			
10	9-	TRUSS PROP	21	3-	GUTTER			
11		PLATE	22	6-14	LEG			

+ INDICATES PART NOT SHOWN

D.R. SPERRY & CO.

SERIAL NO.:

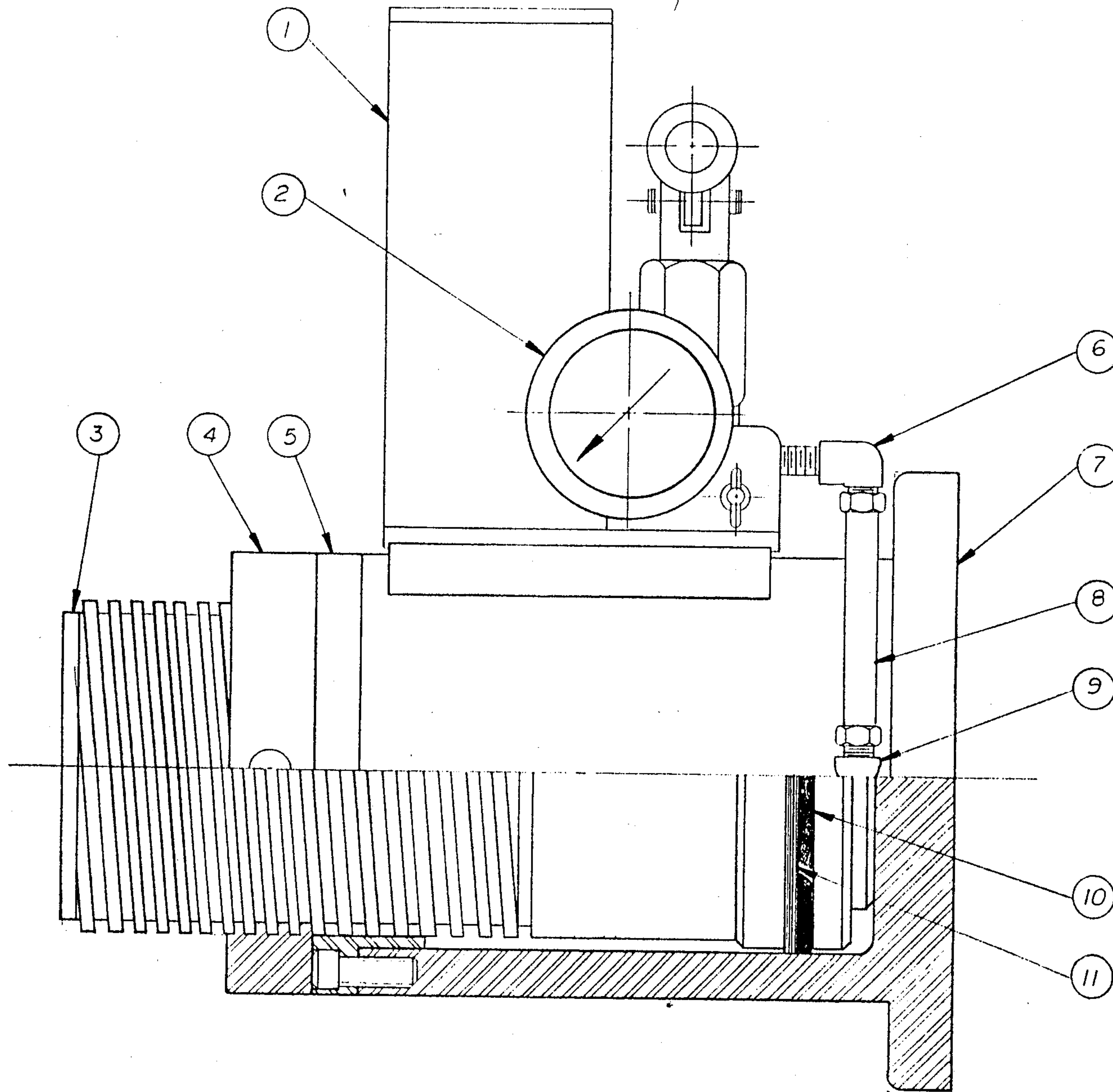
CUSTOMER:



GENERAL ARRANGEMENT FOR
40 & 65 TON HHC PUMP

PUMP PART NO. 61001
GAUGE PART NO. 36002

FIG. 1



ITEM	DESCRIPTION
1	PUMP
2	GAUGE
3	PISTON RAM
4	LOCK NUT
5	RETAINER RING
6	ELBOW
7	CYLINDER
8	TUBE
9	ELBOW
10	O-RING SEAL
11	BACK-UP RING

FIG. 6
HHC ASSY

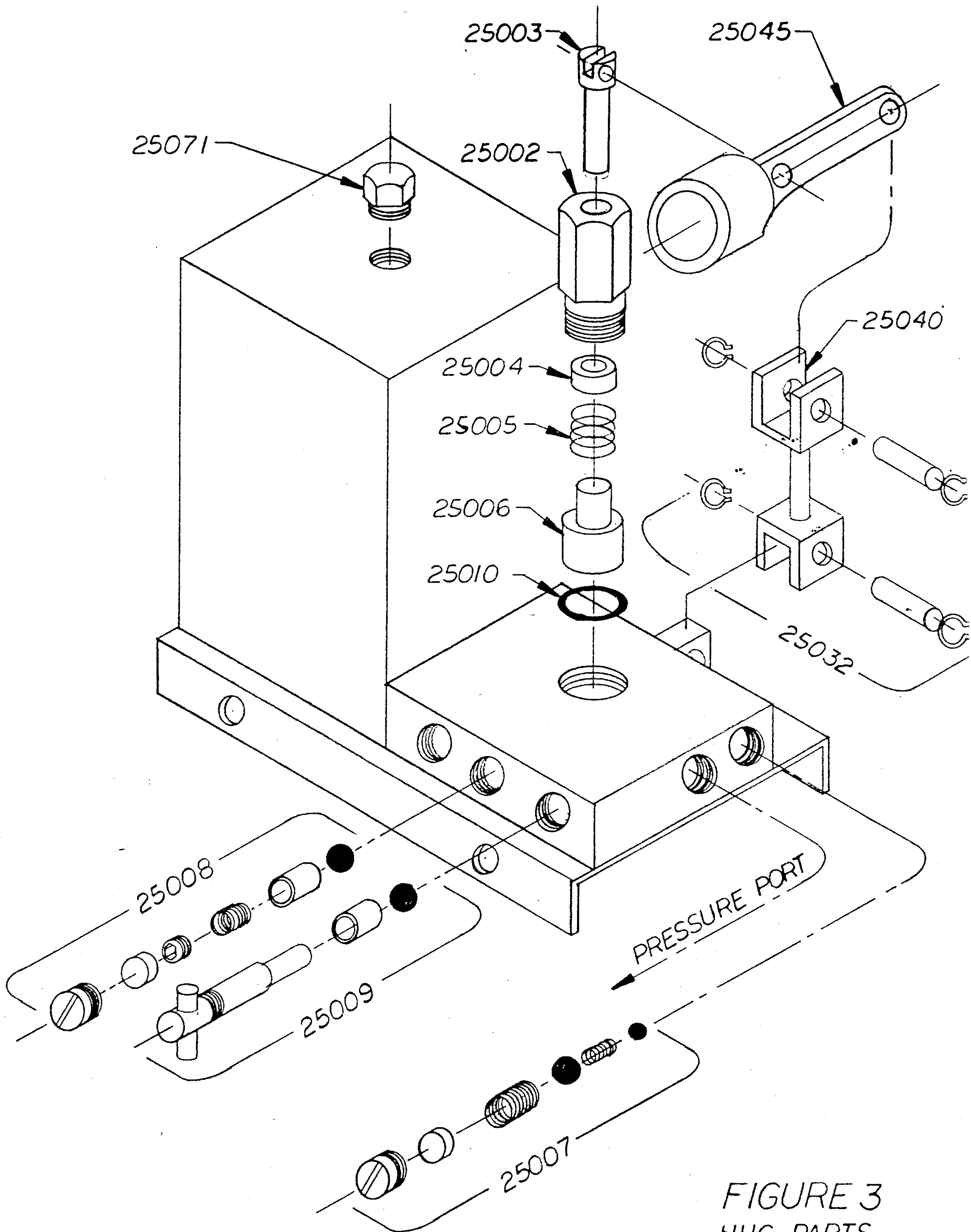
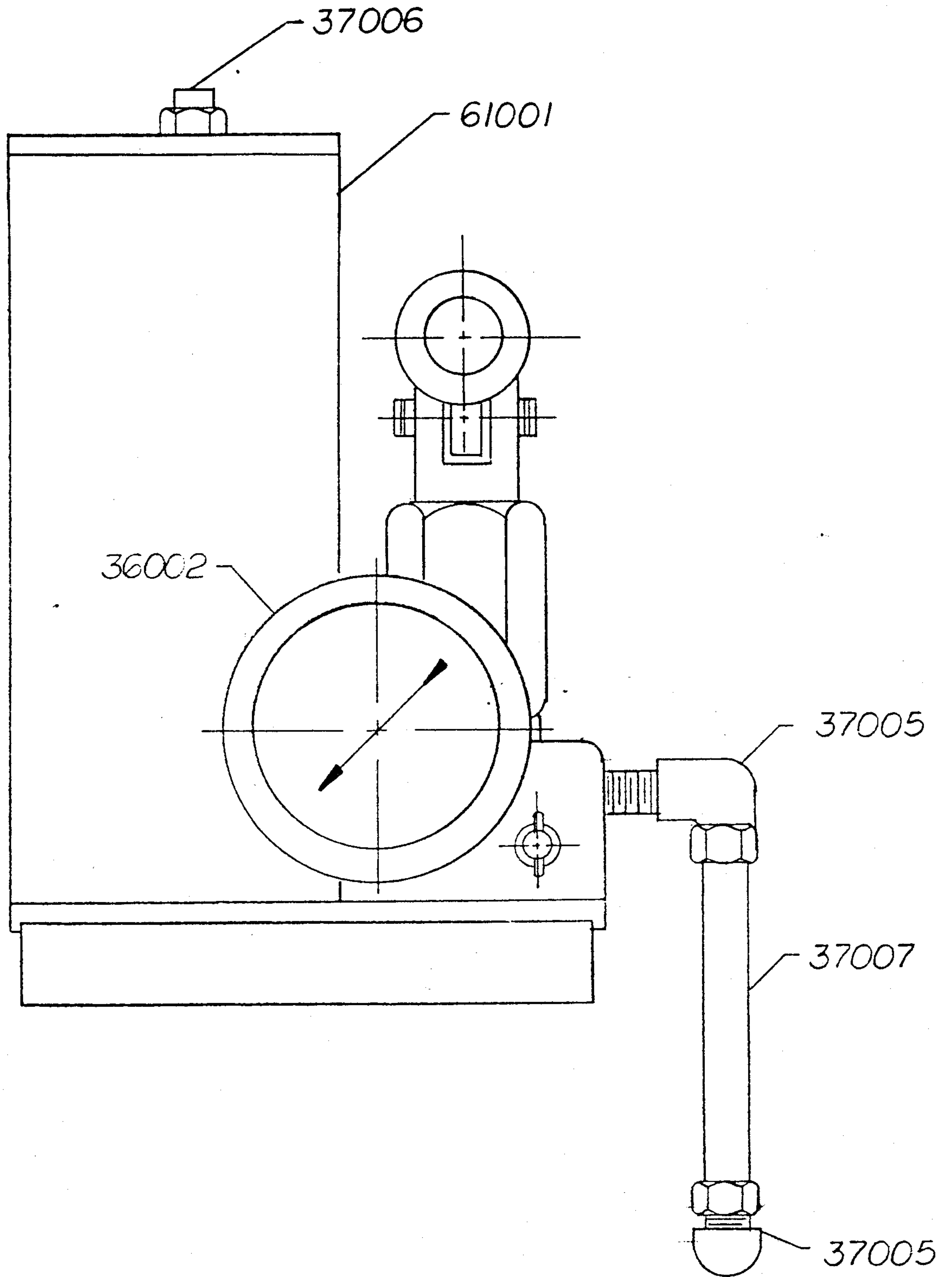


FIGURE 3
 HHC PARTS



40 & 65 TON
WITH FITTINGS

FIG. 4
ASSEMBLY 25001